



DEAS 325: 2022

ICS 71.100.50

DRAFT EAST AFRICAN STANDARD

Wood preservatives and treated timber — Guide to sampling and preparation of wood preservatives and treated timber for analysis

EAST AFRICAN COMMUNITY

Copyright notice

This EAC document is copyright-protected by EAC. While the reproduction of this document by participants in the EAC standards development process is permitted without prior permission from EAC, neither this document nor any extract from it may be reproduced, stored or transmitted in any form for any other purpose without prior written permission from EAC.

Requests for permission to reproduce this document for the purpose of selling it should be addressed as shown below or to EAC's member body in the country of the requester:

© East African Community 2022 — All rights reserved
East African Community
P.O. Box 1096,
Arusha
Tanzania
Tel: + 255 27 2162100
Fax: + 255 27 2162190
E-mail: eac@eachq.org
Web: www.eac-quality.net

Reproduction for sales purposes may be subject to royalty payments or a licensing agreement. Violators may be prosecuted.

Contents

Page

Foreword	iv
1 Scope	1
2 Normative references	1
3 Terms and definitions	1
4 Field of application	1
5 Health and safety hazards	2
6 Guidance on sampling preservatives	2
6.1 General	2
6.1.1 Number of items in consignment	2
6.1.2 Choice of materials for sample container	2
6.1.3 Storage of samples	2
6.2 Sampling of solid preservatives	3
6.2.1 Sampling device	3
6.2.2 Procedure	3
6.3 Sampling of preservatives in paste form	4
6.3.1 Sampling	4
6.3.2 Procedure	5
6.4 Sampling of liquid preservatives	5
6.4.1 Sampling device	5
6.4.2 Procedure	5
7 Guidance on sampling treated timber	5
7.1 General	5
7.2 Suggested sampling procedures	6
7.2.1 Determination of average retention	6
7.2.2 Determination of lateral zone loadings	6
7.2.3 Determination of core loading	7
7.2.4 Thin section samples	8
7.2.5 Sawdust sampling	8
8 Method for the determination of the moisture content of the preservative-treated timber	9
8.1 Selection of sample	9
8.2 Procedure	9
8.3 Calculation	10
9 General considerations in sampling for analysis	10
Bibliography	11

Foreword

Development of the East African Standards has been necessitated by the need for harmonizing requirements governing quality of products and services in the East African Community. It is envisaged that through harmonized standardization, trade barriers that are encountered when goods and services are exchanged within the Community will be removed.

The Community has established an East African Standards Committee (EASC) mandated to develop and issue East African Standards (EAS). The Committee is composed of representatives of the National Standards Bodies in Partner States, together with the representatives from the public and private sector organizations in the community.

East African Standards are developed through Technical Committees that are representative of key stakeholders including government, academia, consumer groups, private sector and other interested parties. Draft East African Standards are circulated to stakeholders through the National Standards Bodies in the Partner States. The comments received are discussed and incorporated before finalization of standards, in accordance with the Principles and procedures for development of East African Standards.

East African Standards are subject to review, to keep pace with technological advances. Users of the East African Standards are therefore expected to ensure that they always have the latest versions of the standards they are implementing.

The committee responsible for this document is Technical Committee EASC/TC 022, *Wood, timber and their products*.

Attention is drawn to the possibility that some of the elements of this document may be subject of patent rights. EAC shall not be held responsible for identifying any or all such patent rights.

This **second** edition cancels and replaces the **first** edition (EAS 325:2002), which has been technically revised.

Wood preservatives and treated timber — Guide to sampling and preparation of wood preservatives and treated timber for analysis

1 Scope

This East African Standard gives guidance on the general procedures to be followed in the sampling and preparation for analysis of preservatives and preservative-treated timber.

No attempt has been made here to define rigidly any detailed methodology to be followed in operations in these areas because this can depend upon the nature of the preservative, the method of treatment, and the particular requirements of relevant approval authorities.

2 Normative references

There are no normative references in this document.

3 Terms and definitions

No terms and definitions are listed in this document.

ISO and IEC maintain terminological databases for use in standardization at the following addresses:

— ISO Online browsing platform: available at <http://www.iso.org/obp>

4 Field of application

4.1 This East African Standard is applicable to the provision of appropriate samples for analysis which may be used to check the content of active components in preservative formulations, and to determine the identity, location and concentration of preservatives in treated timber. The techniques described may be employed in a wide variety of applications ranging from laboratory research through to the checking of preservatives or preservative-treated timber for arbitration purposes. In most cases it is possible, by chemical analysis, to determine whether or not a sample of timber has received a preservative treatment and the results can often give an indication of the type of treatment the wood has received when due consideration is given to other relevant factors, such as timber species and heartwood/ sapwood ratio, in the samples under test.

4.2 No attempt has been made in this East African Standard, to lay down detailed procedures to be adopted for control purposes at manufacturing plants where large volumes of preservative are to be sampled.

4.3 Furthermore, the objectives of each analysis, and the demands of the individual analytical technique, may impose their own requirements with regard to sampling and subsequent handling. Therefore, it is essential that the sampling plan for each operation should be devised in the light of the particular objective, using professional judgment based on experience.

5 Health and safety hazards

5.1 All preservatives may be considered potentially toxic both to man and to the environment and shall be handled with care and in accordance with the specific recommendations for safety agreed with national and international authorities. The manufacturer's instructions should also be observed.

5.2 In handling solid timber after treatment, protective gloves shall be worn if the timber is still wet or contains solvent. Once the timber has dried, unless blooming of the preservative on the surface is noted, no special precautions are necessary in handling food or smoking.

5.3 When treated, timber is machined or mechanically sanded or sawn, an efficient dust extraction system should be used, or, failing this, the operator shall be provided with, and shall wear, appropriate respiratory protection.

5.4 The organic solvents commonly used for applying preservatives are flammable and it is essential that care be exercised in handling such materials.

6 Guidance on sampling preservatives

6.1 General

The method of sampling chosen should ensure that the sample obtained is as representative as possible of the total consignment.

6.1.1 Number of items in consignment

The least number of containers, e.g. drums to be sampled from any given consignment of preservative materials irrespective of whether the materials are solid or liquid, should be the nearest whole number to the square root of half the total number of drums in the consignment (see Table 1). The drums to be sampled should be taken at random

Table 1 — Sampling of drums

Number of drums in consignment (x)	$\sqrt{(x/2)}$	Number of drums to be sampled
10	2.24	2
20	3.16	3
50	5.00	5
100	7.07	7

6.1.2 Choice of materials for sample container

It is essential in all cases that the sample container and its closure be made from material which is inert to the particular preservative under investigation. Thus, glass bottles are unsuitable for bi-fluoride solutions and polyethylene containers should not be used for petroleum solvents.

6.1.3 Storage of samples

Prior to analysis, samples should be stored in a cool dark place.

6.2 Sampling of solid preservatives

6.2.1 Sampling device

A suitable sampling device for the purpose of sampling the preservative in a drum is a sampling spear of internal diameter 32 mm and sufficiently long to reach the bottom of the drum.

6.2.2 Procedure

6.2.2.1 Before sampling, mix the contents of the drum as thoroughly as possible. Take great care to minimize the moisture picked up by the sample during sampling, mixing and reducing processes.

6.2.2.2 Using the sampling device, take five samples (see Figure 1), one from the centre of the drum and the other, four from points on a pair of diameters at right angles to each other, which are mid-way between the central and the side of each drum selected for testing (operation). Ensure that the sampling spear reaches the bottom of the drum. Combine the five samples of approximately 400 g each in a clean, dry airtight container of about 2.5 kg capacity. (Operation 2)¹. If necessary, grind the whole of the bulk sample to pass a test sieve of nominal aperture size 2.00 mm, ensuring that no residue is left on the sieve.

6.2.2.3 Mix the sample well (operation 3A). Transfer the entire sample to a clean dry surface and heap into a cone (operation 3, cone 1): Turn over to form a new cone until the operation has been carried out three times (operation 3, cone 4). Form each conical heap by depositing material on the apex of the cone so that the portions which slide down the side are distributed as evenly as possible, and that the centre of the cone is not displaced. If some of the larger aggregates of the mixture roll and scatter round the base, either push them back to the edge of the heap or break them and distribute them evenly over the heap.

6.2.2.4 Flatten the final cone from the mixed contents of the container by repeated vertical insertions of the edge of a board, commencing about the centre and working radial round the cone, lifting the board clear of the material after each insertion. Carry out this operation so that the flattened heap is of uniform thickness and diameter and the centre coincides with the centre of the original cone (operation 4).

6.2.2.5 To ascertain the homogeneity of the contents of a drum, individual spear samples may be analysed.

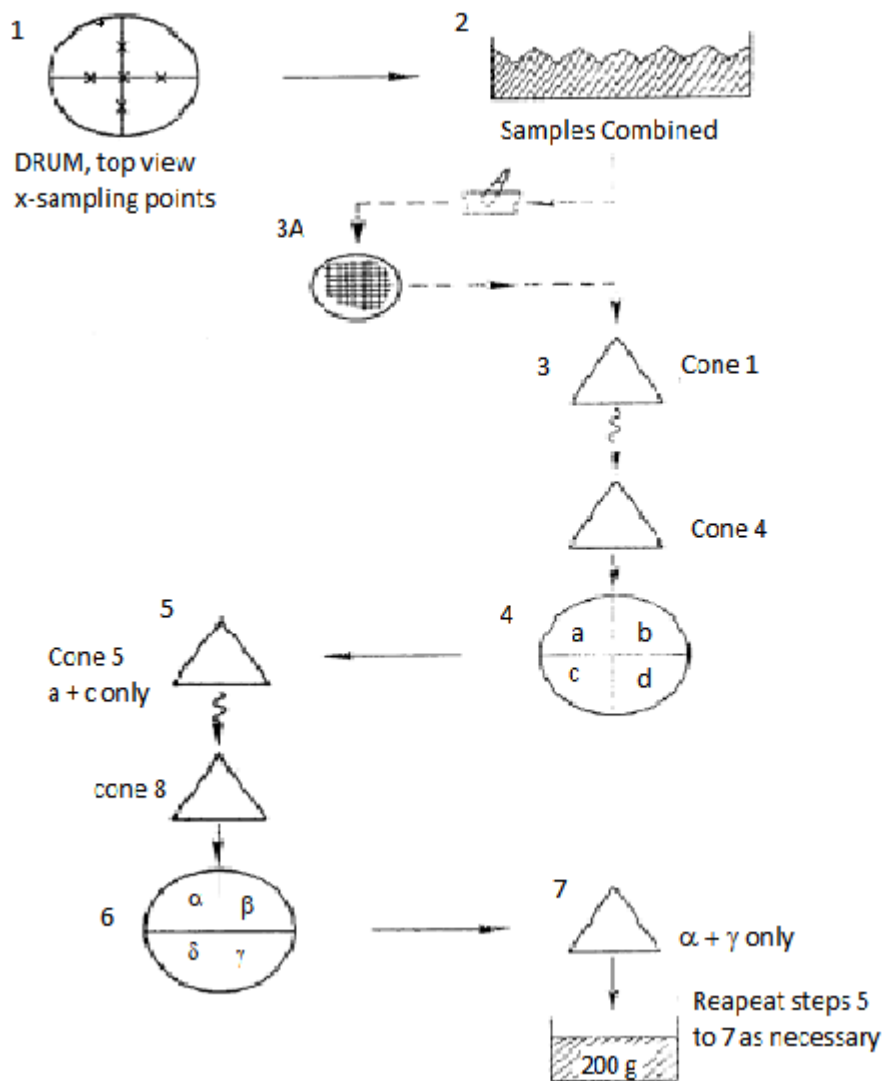


Figure 1 — Sampling of a solid preservative

6.2.2.6 Quarter the heap along two diameters which intersect at right angles, using a suitable divider. Shovel one pair of opposite quarters into a cone and reject the remainder (operation 5). Mix the cone three times (operation 5, cone 8) as described above, flatten the cone and quarter along two diameters (operation 6).

6.2.2.7 Repeat these operations until a reduced sample of about 200 g remains (operation 7). Immediately enclose the test sample in an airtight container until required for analysis.

6.3 Sampling of preservatives in paste form

6.3.1 Sampling

A suitable device is a wide – mouthed sampling can of about 500 ml capacity fitted with a long, stiff handle so that it can be submerged in the material to be sampled. It should also carry a removable lid to which a second stiff handle is attached, so that when the can is immersed in the paste the lid can be removed, allowing the can to fill.

A stout steel stirring rod, suitable for stirring the contents of a drum is also required.

6.3.2 Procedure

Thoroughly mix the preservative in each drum before the samples are taken. Displace any settled material from the base of the drum using the stirring rod. Reclose the drum and homogenize the contents by rolling and shaking the drum. Mechanical agitation should be used if available. Re-open the drums and test the contents for uniformity by probing with the steel rod. Continue alternate stirring, shaking and rolling until the contents are of a homogenous consistency.

Take three samples from each drum with the sampling can, one from just below the surface of the preservative, the second at a position about halfway between the surface and the base of the drum and the third from near the base. Pour the three samples from each drum into a clean glass or plastic container and mix together.

NOTE Should homogenization prove to be impossible, it will be necessary to dissolve or disperse the whole contents of the drum and take aliquot portions for analysis.

6.4 Sampling of liquid preservatives

6.4.1 Sampling device

A suitable sampling device consists of a thick-walled glass tube of about 13 mm internal diameter, cut to a length suitable for extracting the treatment solution to a depth about 600 mm. The actual length of the tube will depend on the container to be sampled.

To ensure retention of the liquid column when the tube is withdrawn from the solution, the bottom end of the tube should be softened in a flame and the glass allowed to collapse until the opening is reduced to about 6 mm diameter.

6.4.2 Procedure

Insert the glass tube vertically into the well-mixed liquid in the can to be sampled, and allow the liquid to reach its natural height in the glass tube. Place the thumb on the upper end of the tube to prevent escape of the liquid from the tube while it is being lifted. Lift the tube from the can and insert the end into the sample bottle. Allow the liquid to drain into the sample bottle by removing the thumb. If required, bulk the sample from the various cans. Mix and remove a suitable volume for analytical purposes. Seal the sample can.

7 Guidance on sampling treated timber

7.1 General

7.1.1 The effectiveness of any treatment depends on the introduction of suitable quantities of preservative to a sufficient depth below the surface of the wood to protect from biological attack, and to combat existing infection. The degree of protection required varies with the severity of the environment to which the treated timber is exposed.

7.1.2 The penetration of preservatives into the timber is governed by three main factors:

- a) The properties of the preservative.
- b) The method of applying it to the timber.
- c) The permeability of the timber itself: this property varies markedly with species and, even within a single timber, regions of different permeability (e.g. heartwood/ sapwood) may be present.

7.1.3 In practice, therefore, a wide range of preservative distribution 'profiles' is encountered within treated timber and any methods designed for the detailed examination of such materials should make provision not only for the detection and/or measurement of active components but also for the determination of their location within the timber samples or wooden members. The exact sampling technique to be employed in any

particular case will depend on the factors enumerated above and should also take account of, where required, the product's end use and location.

7.1.4 The primary requirement of any sampling system is that the samples taken should be as representative as possible of the main stock of treated wood. These should be selected so as to avoid knots, splits and other growth irregularities.

7.1.5 Samples consisting entirely of heartwood should be avoided unless the timber under test is all heartwood, otherwise the analytical results will indicate a value which is too low.

7.1.6 Similarly, samples consisting entirely of the more permeable sapwood should be avoided unless the timber under test is all sapwood or loading of the sapwood only has to be determined, otherwise the results will indicate a value which is too high. It should be borne in mind also that preservative enters timber most rapidly through the end grain, and relatively high loadings are obtained in these areas.

7.1.7 The effect of end penetration on the overall loading of a stick will thus depend on the length of the stick while the contribution of lateral penetration to this total will vary with the cross-sectional area of the timber. It is therefore important that the dimensions of the wood components to be sampled are taken into account when deciding the sampling procedure to be adopted.

7.1.8 The numbers and distribution of samples to be taken should be decided for each analysis (see Clause 1). Clearly, pressure-impregnation of a permeable timber will result in a relatively even distribution of preservative within the wood while, at the other extreme, dipping or brushing an impermeable species will provide only a thin, less uniform, 'envelope' of preservative which is confined to the outermost layers of the wood. It is evident, in this latter case, that more extensive sampling may be required to give meaningful results. When sampling of constructional timber has to be undertaken, it is important to ensure that no structural weakening arises as a result of this process, and sampling may have to be limited on this account. The advice of an experienced specialist in the building field should be sought before commencing operations.

7.1.9 In many situations, samples have to be taken from preservative-treated timber which has been subjected to further processing such as painting or gluing, or which has been otherwise contaminated on the surface. In such cases, care has to be taken to avoid interference in the subsequent analysis by excluding such extraneous material from the sample.

7.2 Suggested sampling procedures

7.2.1 Determination of average retention

Cut a complete cross-section, 6 mm thick, from the timber. The sample should be taken, if possible; at least 300 mm from the end. In all cases, and especially in shooter billets, it is essential to take into account the effects of any penetration through the end grain.

7.2.2 Determination of lateral zone loadings

7.2.2.1 Cut a sample of the required lateral depth at least 300 mm from the end. If profiles of penetration at different depths are required, it will be necessary to eliminate edge effects. For example, if radial penetration profiles are required, zones contaminated by tangential penetration should be avoided (see Figure 2).

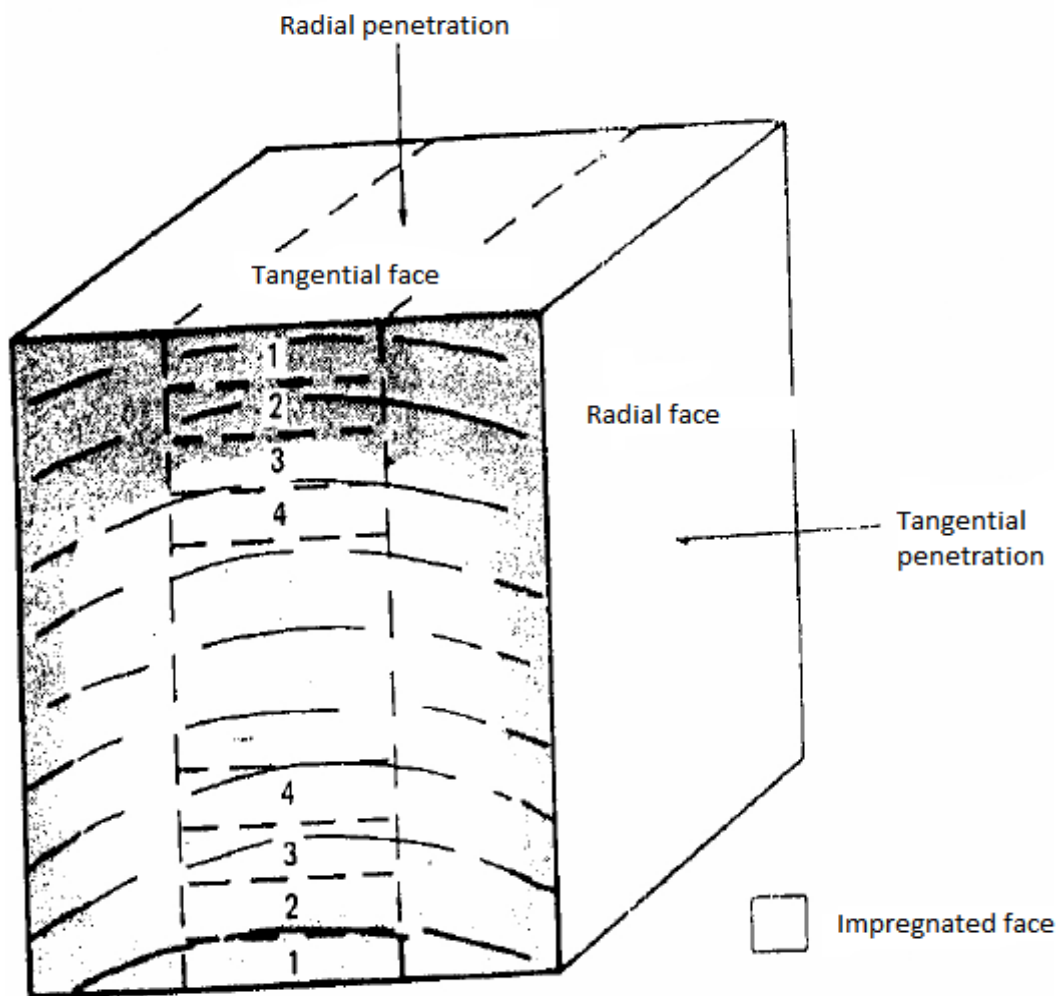


Figure 2 — Example of a sampling technique for the study of radial penetration

7.2.2.2 Depending on the purpose of the test, it may be desirable that the sample consists of sapwood only, or of heartwood only. If both are present, it may be necessary to distinguish between them before selecting analytical samples from the block, if possible.

7.2.3 Determination of core loading

7.2.3.1 Cut a cross-section of 50 mm in the longitudinal direction from the timber at least 300 mm from the end. Dry the section to a moisture content between 8 % and 18 % by air drying or in an oven (see 6.2) at a temperature of less than 60 °C. Special precautions should be observed when dealing with volatile preservatives and oven drying may not be suitable (see Clause 7). From the centre of this 50 mm section cut a 6 mm section and cut from it the one-ninth core as illustrated in Figure 3.

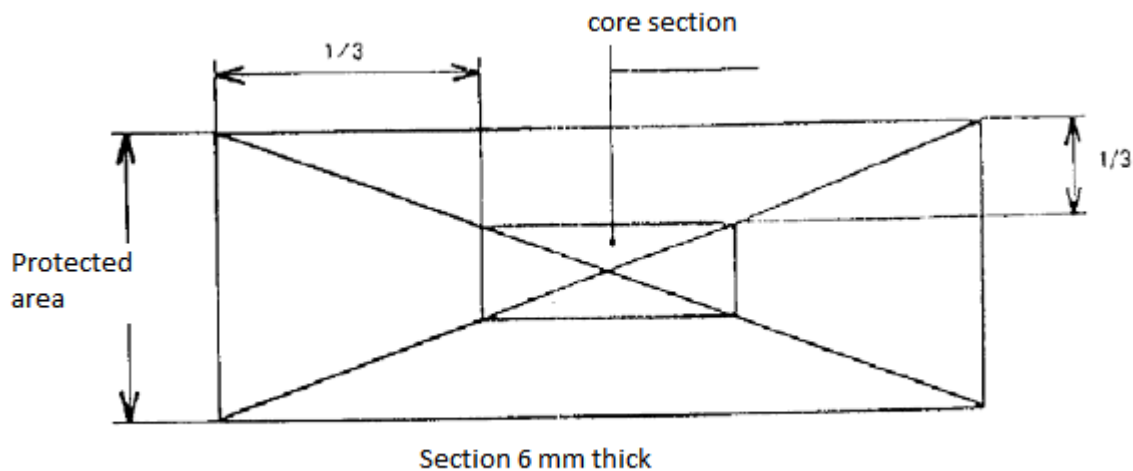


Figure 3 — Preparation of 1/9 core section to determine core loading

7.2.3.2 If the timber to be sampled already has moisture content between 8% and 18%, the 6 mm section for core preparation can be cut directly.

7.2.4 Thin section samples

7.2.4.1 Preservatives in treated wood are usually not evenly distributed, and it is often required to determine preservative loading over very small areas. To do this, cut sections up to 0.2 mm in thickness, on a microtome, from air-dry specimens sawn from the bulk of the treated wood or from borings taken with a Mattson borer. It is also possible to cut sections with a wood plane, but this method is not so accurate.

7.2.4.2 Samples may also be taken using Forstner auger bit which produces thin shavings and results in a smooth – sided, flat bottomed hole of well defined area. If incremental borings are taken it is possible to examine the distribution of preservative with respect to depth, though this method is not as accurate as that using a microtome because of the possibility of compressing the wood during sampling.

7.2.4.3 To obtain a representative sample, it is necessary to include both early and late wood in the thin sections taken for analysis. This is because concentration gradients of preservative can occur across the annual rings. Sections taken from the radial and transverse faces of the sample will contain both early and late wood but sections cut from the tangential face may contain only one or the other.

7.2.4.4 To make up a representative sample from the tangential face, thin sections should be cut over several annual rings, provided there is sufficient depth of preservative penetration to allow this.

NOTE In order to avoid loss of sample, it is necessary for the preparation of thin section samples (5.2.5) and for sawdust sampling (5.2.6) to be carried out in a draught-free environment; appropriate precautions should be taken to protect the operator (see clause 3).

7.2.5 Sawdust sampling

7.2.5.1 Samples may be cut as solid sections (which may afterwards be converted to sawdust, for example by pulverizing the dry sample in a beater mill or hammer mill) or they may be produced as sawdust directly from the piece of timber under study (see note following 5.2.5). Since the preservative, by virtue of its original location within the timber, may well be concentrated in sawdust particles of a particular size, it is important that no fraction be rejected before analysis. The product may be homogenized, for example by continuing grinding until all the sample passes a test sieve of nominal aperture size 425 µm and mixing well before taking aliquot portions.

7.2.5.2 Care should be taken to minimize the risk of evaporative losses or degradation of organic preservatives due to excessive generation of heat in the conversion process.

7.2.5.3 The fastest method of sampling is to make a clean uniform saw cut through the cross-section of a specimen and collect the sawdust produced for analysis. During sawing, it is important that the sawblade is held rigidly so that sideways motion of the blade is virtually eliminated. An unrepresentative sample will be obtained if there is any variation in the width of the saw cut through the specimen.

7.2.5.4 To ensure a uniform cut, modify a mitre machine to allow easy sawdust collection by fitting it with a shallow V-shaped bed containing a simple gripping device over which the saw is supported on four rods (see Figure 4). Fit the machine with a medium cut blade with four to five points per centimetre.

7.2.5.5 Saw the specimen through, whilst it is held firmly mounted on the saw bench, and collect the sample by brushing the sawdust into a tared beaker for weighing.

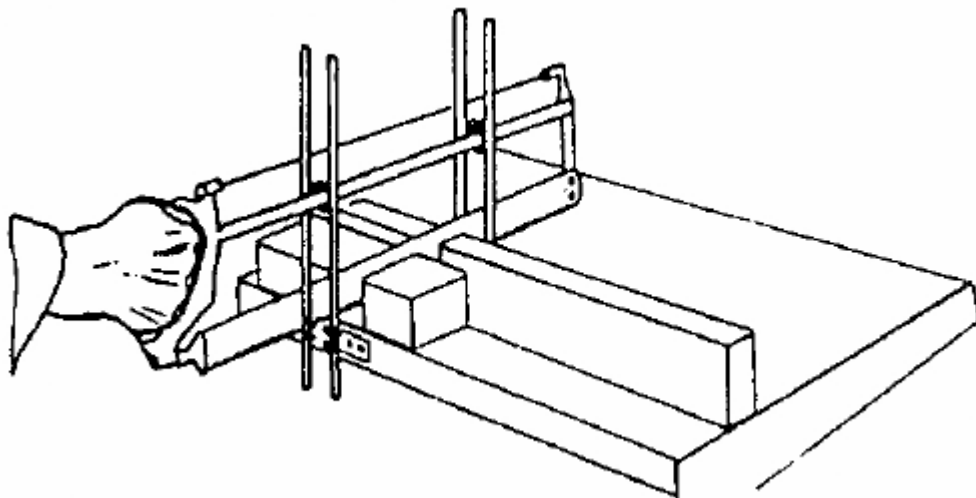


Figure 4 — Modified mitre machine for the preparation of the sawdust sample

8 Method for the determination of the moisture content of the preservative-treated timber

8.1 Selection of sample

8.1.1 If the average moisture content of a piece of treated timber is required, cut a sample consisting of a full cross-section 13 mm to 19 mm thick, not less than 300 mm from one end. Using a test borer consisting of a hollow auger and extractor, bore from the sapwood face to the centre of the section or to the specified depth (see note) if the cross-section exceeds 6,000 mm².

NOTE The depth to be utilized for large cross-section members should be specified in the commodity specification.

8.1.2 If the information is required on the moisture content of the analytical samples, matched material or sample aliquots may be employed, but not the samples to be used for chemical analysis.

8.1.3 If the sample cannot be weighed at once, put it into a stoppered weighing bottle or other airtight container immediately after it has been prepared (see 4.1).

8.2 Procedure

8.2.1 Weigh the sample as soon as possible after preparation (m_1) and place it in an oven which has already been adjusted to a temperature of between 100 °C and 105 °C. Remove the sample periodically, cool

it in a desiccator and reweigh (m_2). Repeat the drying, cooling and weighing at suitable intervals until any further loss in mass is at a rate not exceeding 0.1g/24 h, or for samples in excess of 20 g dry mass until the loss between two successive weighings is not greater than 0.5 % 24 h.

NOTE Some loss of preservatives by volatilization or degradation may be incurred during this process and this may lead to somewhat higher values for moisture content. In calculating the results, therefore, allowances should be made for such evaporative losses as well and for any degradation of the preservatives.

8.2.2 If the timbers have a high content of volatile substances that are non-miscible with water, such as may arise with creosote treatment, it may be preferable to use a Dean and Stark distillation method for the determination of moisture content.

NOTE 2 It is advisable for the drying oven to be in a fume cupboard to avoid exposure of personnel to any fumes.

8.3 Calculation

Calculate the moisture content, w , as a percentage of the dry mass, from the following formula:

$$w = \frac{m_1 - m_2}{m_2} \times 100\%$$

where

m_1 is the mass of sample when wet in grams

m_2 is the mass of sample after drying in grams

9 General considerations in sampling for analysis

9.1 Analytical samples isolated by the methods outlined in clauses 4 and 5 may be converted, by a variety of techniques, into a form suitable for further processing.

9.2 Subsequent operations may include preparation of the wood surface, conversion to sawdust, chemical digestion, extraction, etc.

9.3 The precise procedures to be followed depend on the requirements of the analytical methods. However, reference has already been made (5.2.6 and 6.2) to important consideration, the need to ensure homogeneity of the sample and to avoid, as far as possible, losses of preservative by evaporation.

9.4 Drying under ambient conditions is therefore recommended and moisture content determinations should not normally be carried out on the samples selected for further analysis. In addition, migration of aqueous or organic solvents during the drying process may well cause redistribution of the active components within solid wood samples and it may be necessary to use a freeze-drying technique in distribution studies.

Bibliography

EAS 325:2002, *Wood preservatives and treated timber — Guide to sampling and preparation of wood preservatives and treated timber for analysis*

Public review Draft

Public review Draft