



**RWANDA
STANDARD**

**DRS
530**

First edition

2023-mm-dd

**Natural stone test methods —
Determination of geometric characteristics
of units**

ICS 73.020; 91.100.15

Reference number

DRS 530: 2023

© RSB2023

In order to match with technological development and to keep continuous progress in industries, standards are subject to periodic review. Users shall ascertain that they are in possession of the latest edition

© RSB2023

All rights reserved. Unless otherwise specified, no part of this publication may be reproduced or utilized in any form or by any means, electronic or mechanical, including photocopying and microfilm, without prior written permission from RSB.

Requests for permission to reproduce this document should be addressed to:

Rwanda Standards Board

P.O Box 7099 Kigali-Rwanda

KK 15 Rd, 49

Tel. +250 788303492

Toll Free: 3250

E-mail: info@rsb.gov.rw

Website: www.rsb.gov.rw

ePortal: www.portal.rsb.gov.rw

Contents

Page

Foreword	v
1 Scope	1
2 Normative references	1
3 Terms and definitions	1
4 Measurement of the dimensions of rough blocks	1
4.1 General	1
4.2 Measurement of the gross dimensions of rough blocks	1
4.2.1 General	1
4.2.2 Apparatus	2
4.2.3 Procedure of measurement	2
4.3 Measurement of net dimensions of rough blocks	3
4.3.1 General	3
4.3.2 Apparatus	3
4.3.3 Procedure of measurement	3
5 Measurement of the dimensions of rough slabs	4
5.1 General	4
5.2 Measurement of the gross dimensions of rough slabs	4
5.2.1 General	4
5.2.2 Apparatus	4
5.2.3 Procedure of measurement	4
5.3 Measurement of the net dimensions of rough slabs	5
5.3.1 General	5
5.3.2 Apparatus	5
5.3.3 Procedure of measurement	5
5.3.4 Measurement of the thickness of a rough slab	6
5.3.5 Verification of the flatness of a rough slab	6
6 Measurement of the dimensions and verification of other geometric characteristics of finished products	6
6.1 General	6
6.1.1 General	6
6.1.2 Apparatus	7
6.1.3 Procedure of measurement	7
6.2 Measurement of the thickness for a textured finish	8
6.2.1 Measurement of surface irregularities	8
6.2.2 Measurement of resulting thickness	9
6.3 Verification of flatness	10
6.3.1 Verification of flatness for a regular surface finish	10
6.3.2 Verification of flatness for an irregular finish	10
6.4 5.5 Verification of the squareness of faces	13
6.4.1 5.5.1 General	13
6.4.2 Angular measurement	13
6.4.3 Measurement in percentage	14
6.5 Verification of the squareness of edges	16
6.5.1 General	16
6.5.2 Apparatus	16
6.5.3 Procedure of measurement	16
6.5.4 Measurement using a set square	16
6.6 Verification of the geometrical characteristics of fixing holes of slabs for claddings	18

6.6.1	General.....	18
6.6.2	Depth of the hole.....	18
6.6.3	Position of the hole.....	19
6.6.4	Diameter of the hole	19
6.6.5	Inclination of the hole.....	19
6.7	Verification of the shape of non-rectangular and curved units	20
6.7.1	General.....	20
6.7.2	Apparatus	20
6.7.3	Procedure of measurement	21
7	Test report	21

Copy for public comments

Foreword

Rwanda Standards are prepared by Technical Committees and approved by Rwanda Standards Board (RSB) Board of Directors in accordance with the procedures of RSB, in compliance with Annex 3 of the WTO/TBT agreement on the preparation, adoption and application of standards.

The main task of technical committees is to prepare national standards. Final Draft Rwanda Standards adopted by technical committees are ratified by members of RSB Board of Directors for publication and gazettment as Rwanda Standards.

DRS530 was prepared by Technical Committee RSB/TC 9, *Civil engineering and building materials*.

In the preparation of this standard, reference was made to the following standard:

BS EN 13373:2003, Natural stone test method — Determination of geometric characteristics on units

The assistance derived from the above source is hereby acknowledged with thanks.

Committee membership

The following organizations were represented on the Technical Committee on *Civil engineering and building materials* (RSB/TC 9) in the preparation of this standard.

A+Construction Group Ltd

Africeramics Ltd

Consultants Engineers Group (CEG) Ltd

D&D Resources Ltd

Dutureheza Ltd

Enabel Rwanda

Greenpack Africa Ltd

Integrated Polytechnic Regional Centre (IPRC) - Musanze

Mass Design Group

NP Construction Company (NPCC) Ltd

DRS530: 2023

Road Transport Development Agency (RTDA)

Rwanda Housing Authority (RHA)

Rwanda Inspectorate, Competition and Consumer Protection Authority (RICA)

Rwanda Quarries Association (RQA)

SKAT Consult

St Joseph Engineering Company (SJEC) Ltd

Standards for Sustainability (SfS)

Stonecraft Industries Ltd

University of Rwanda - College of Science and Technology (UR - CST)

Rwanda Standards Board (RSB) – Secretariat

Copy for public comments

Copy for public comments

Natural stone test methods — Determination of geometric characteristics of units

1 Scope

This Draft Rwanda standard describes methods for verifying the geometric characteristics of products of natural stone such as blocks, rough slabs, finished products for cladding, flooring, stairs and modular tiles. These methods are to be applied in the case of a dispute between two parties, they are not compulsory for production control, where simplified methods can be applied provided a correlation with the methods of this standard could be demonstrated.

2 Normative references

The following documents are referred to in the text in such a way that some or all of their content constitutes requirements of this document. For dated references, only the edition cited applies. For undated references, the latest edition of the referenced document (including any amendments) applies.

DRS 516, Natural stone products—Rough blocks - Requirements.

DRS 519, Natural stone products — Slabs for claddings — Requirements

DRS 522, Natural stone products — Modular tiles — Requirements.

DRS 523, Natural stone products — Slabs for floors and stairs —Requirements

3 Terms and definitions

For the purposes of this standard, the terms and definitions given in DRS 515, apply.

4 Measurement of the dimensions of rough blocks

4.1 General

These methods are to be used for the measurement of the gross dimensions and the net dimensions of rough blocks that conform with DRS 516 .

4.2 Measurement of the gross dimensions of rough blocks

4.2.1 General

Measurement of the dimensions of the smallest parallelepiped (P1) that contains a rough block.

4.2.2 Apparatus

- A rigid rule of appropriate size graduated in 10 mm.
- Two flat metal reference straight-edges

4.2.3 Procedure of measurement

An orthogonal reference system is chosen (x, y, z) (Figure 1).

The height z_i and the length x_i (or the width y_i) of each face i of the block are measured in the following manner:

The straight-edges show the two parallel sides of the smallest rectangle containing the face of the block. Measurements are taken in the plane of the corresponding face of the parallelepiped P_1 . The distance between the straight-edges is measured to the nearest 10 mm (Figure 2).

The gross dimensions of the block are the smallest value of x_i , y_i and z_i , expressed in metres.

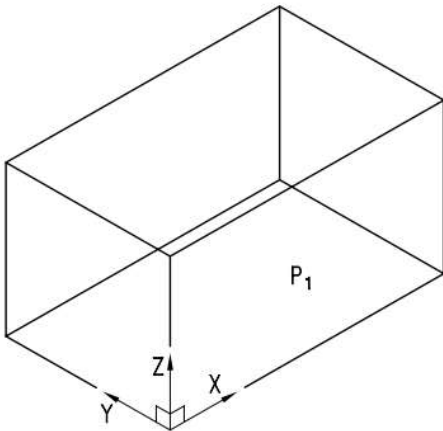


Figure 1 — Orthogonal reference system defining the planes of measurement (parallelepiped P_1)

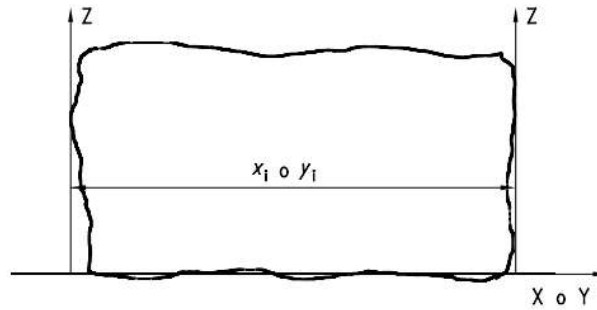


Figure 2 — Measurement of the gross length x_i (or of the gross width y_i) of a face of a rough block

4.3 Measurement of net dimensions of rough blocks

4.3.1 General

Measurement of the dimensions of the largest parallelepiped (P_2) that can be inscribed within a rough block.

4.3.2 Apparatus

- A rigid rule of appropriate size graduated in 10 mm.
- Two flat metal reference straight-edges.

4.3.3 Procedure of measurement

An orthogonal reference system is chosen (x, y, z) (Figure 3).

The height z_i and the length x_i (or the width y_i) of each face i of the block are measured in the following manner:

- the straight-edges show the two parallel sides of the largest rectangle that can be inscribed within the face of the block. Measurements are taken in the plane of the corresponding face of the parallelepiped P_2 . The distance between the straight-edges is measured to the nearest 10 mm (Figure 4);
- the net dimensions of the block are the smallest values of x_i, y_i, z_i , expressed in metres.

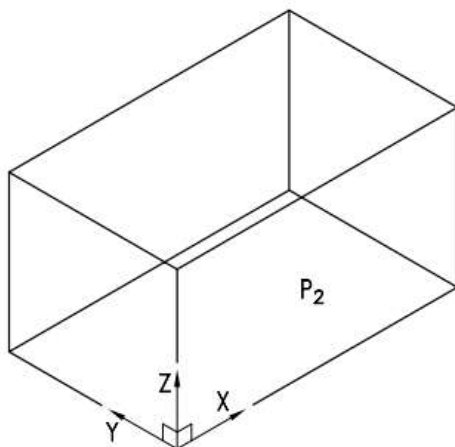


Figure 3 — Orthogonal reference system defining the planes of measurement (parallelepiped P_2)

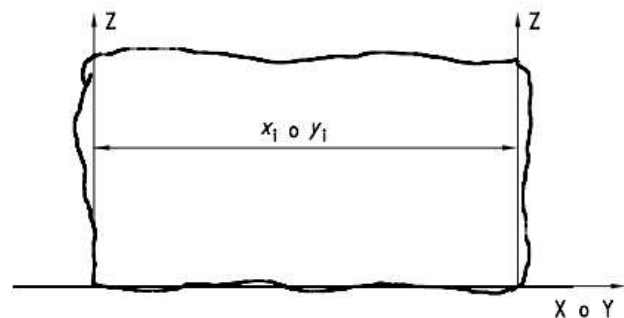


Figure 4 — Measurement of the net length x_i (or of the net width y_i) of a face of a rough block

5 Measurement of the dimensions of rough slabs

5.1 General

These methods are to be used for the measurement of the gross dimensions and net dimensions of rough slabs that conform with DRS 516.

5.2 Measurement of the gross dimensions of rough slabs

5.2.1 General

Measurement of the dimensions of the smallest rectangle that contains a slab.

5.2.2 Apparatus

- A rigid rule of appropriate size graduated in 10 mm.
- Two flat metal reference straight-edges.

5.2.3 Procedure of measurement

An orthogonal reference system is chosen (x, z). The height (z_i) and the length (x_i) of the slab are measured in the following manner:

- with the straight-edges show the two parallel sides of the smallest rectangle containing the slab, the distance between the straight-edges is measured to the nearest 10 mm (Figure 5);
- the gross dimensions of the rough slab are: the smallest values of x_i and z_i , expressed in millimetres.

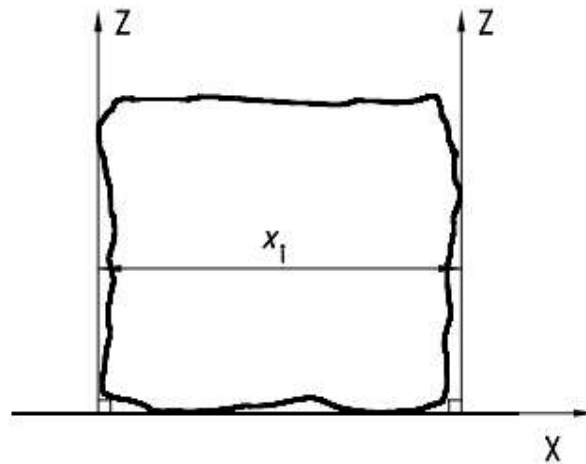


Figure 5 — Measurement of the gross length x_i of a rough slab

5.3 Measurement of the net dimensions of rough slabs

5.3.1 General

Measurement of the dimensions of the largest rectangle that can be inscribed within a slab.

5.3.2 Apparatus

- A rigid rule of appropriate size graduated in 10 mm.
- Two flat metal reference straight-edges.

5.3.3 Procedure of measurement

An orthogonal reference system is chosen (x , z).

The height (z_i) and the length (x_i) of the slab are measured in the following manner:

- with the straight-edges show the two parallel sides of the largest rectangle that can be inscribed within the slab;
- the distance between the straight-edges is measured to the nearest 10 mm (Figure 6). The net dimensions of the rough slab are: the smallest values of x_1 and z_1 expressed in millimetres.

5.3.4 Measurement of the thickness of a rough slab

See clause 6.3.

5.3.5 Verification of the flatness of a rough slab

See clause 6.4.

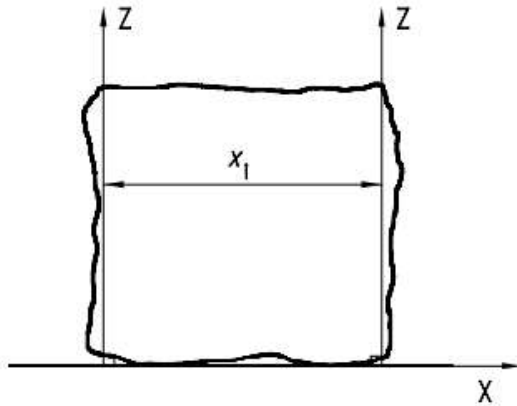


Figure 6 — Measurement of the net length x_i of a rough slab

6 Measurement of the dimensions and verification of other geometric characteristics of finished products

6.1 General

These methods are to be used for the measurement of dimensions, and verification of flatness and squareness of finished products that conform to DRS 519, DRS 522 and DRS 523.

6.1.1 General

Measurement of the length, width and thickness of parallelepiped elements in solid stone.

Measurement of the length and width of the following rectangular elements with sawn edges: slabs for cladding, slabs for floors and stairs and modular tiles.

Measurement of the thickness of slabs for claddings, slabs for floors and stairs and modular tiles, but only when these products have a ground, honed or polished finish. For measuring thickness in the case of a textured or riven surface finish, see clause 6.3.

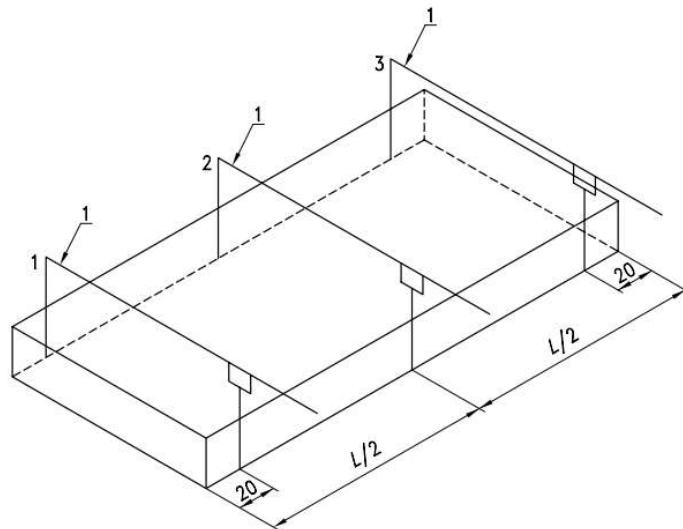
6.1.2 Apparatus

- A sliding calliper gauge accurate to $1/20$ mm with a measuring range at least equal to the size of the element to be measured (up to 1000 mm).

6.1.3 Procedure of measurement

- All measurements are made to the nearest 0.1 mm.
- For the length and width, three measurements per face are taken (Figure 7).
- For the thickness, measurements are taken at 8 positions (Figure 8).

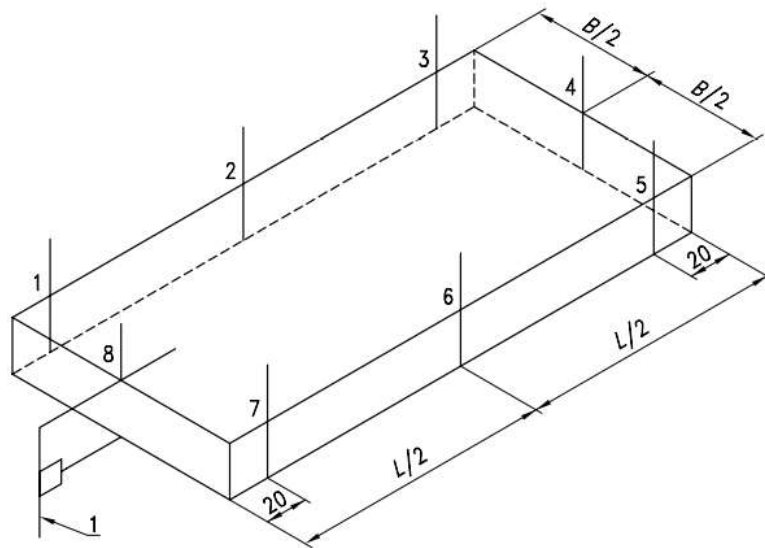
Dimensions in millimetres



Key
 1 Sliding calliper gauge
 L Length of the element

Figure 7 — Measurement of the length of finished products at three points

Dimensions in millimetres



Key
1 Sliding calliper gauge
L Length of the element
B Width of the element

Figure 8 — Measurement of the thickness of finished products at eight points

6.2 Measurement of the thickness for a textured finish

6.2.1 Measurement of surface irregularities

6.2.1.1 General

Measurement of surface irregularities for slabs for claddings and for floors and stairs, and modular tiles with a textured surface finish (flame-textured, bush-hammered etc.).

6.2.1.2 Apparatus

- A profile gauge (comb) > 500 mm long.
- A rigid rule of appropriate size graduated in millimetres.

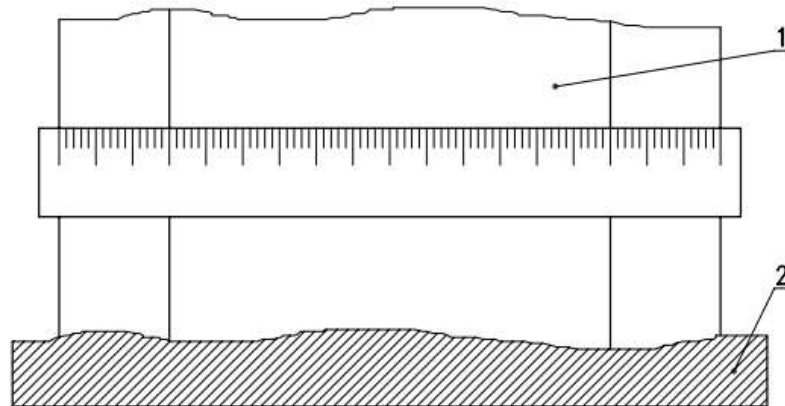
6.2.1.3 Procedure of measurement

- Place the element to be measured on a reference surface.

- Place the profile gauge support onto the spacing shims and press the fingers on the base.
- Measure the distance (measurement e) between the end of the blade and the gauge support to the nearest 1 mm.
- Divide the facing surface of the element into at least four areas, place the gauge on one of these areas and press all the blades onto the surface (see Figure 9).
- Remove the gauge and measure the highest and lowest points (measurements c).
- Take the difference between the result of the measurement e and the result of the measurements c to obtain the maximum and minimum profiles.
- Repeat the operation for the other areas.

6.2.2 Measurement of resulting thickness

- A rough measurement of the thickness of the element is taken according to the method described in clause 6.2.
- The resulting thickness to be taken into account, is the rough thickness reduced by the biggest depth of hollows obtained with the profile gauge.



Key

- 1 Profile gauge
- 2 Unit being measured

Figure 9 — Measurement of surface irregularities

6.3 Verification of flatness

6.3.1 Verification of flatness for a regular surface finish

6.3.1.1 General

Measurement of the deviation from flatness for the following elements with sawn edges and having a ground, honed or polished surface finish: slabs for claddings and for floors and stairs and modular tiles.

6.3.1.2 Apparatus

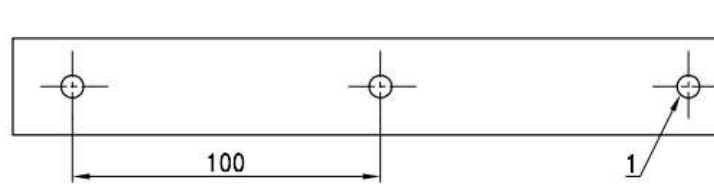
- A flat metal rule perforated at 100 mm intervals, having a length at least equal to that of the element to be measured (Figure 10) (maximum 1500 mm).
- A set of thin shims accurate to 1/10 mm.
- A gauge accurate to 1/10 mm with a flat contact.

6.3.1.3 Procedure of measurement

- Place the rule on two shims of known thickness, these being placed so as to be adjacent to the edges (Figure 11 and Figure 12).
- Place the gauge (Figure 12) or a set of thin shims (Figure 11) at the points of measurement. Measurements are taken at 8 positions to the nearest 0,5 mm (Figure 13).
- Note the results for positions 1 to 8.

6.3.2 Verification of flatness for an irregular finish

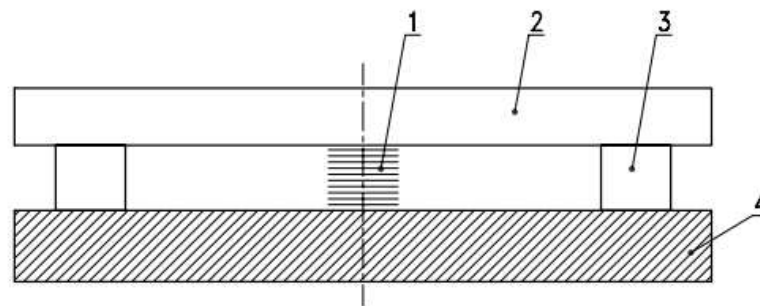
In the case of an element with a textured finish, the method described in 6.4.1 is followed, taking care to use shims with sufficient width so as not to be between two peaks in the irregularities.



Key

1 Hole for the gauge

Figure 10 — Perforated flat rule



Key

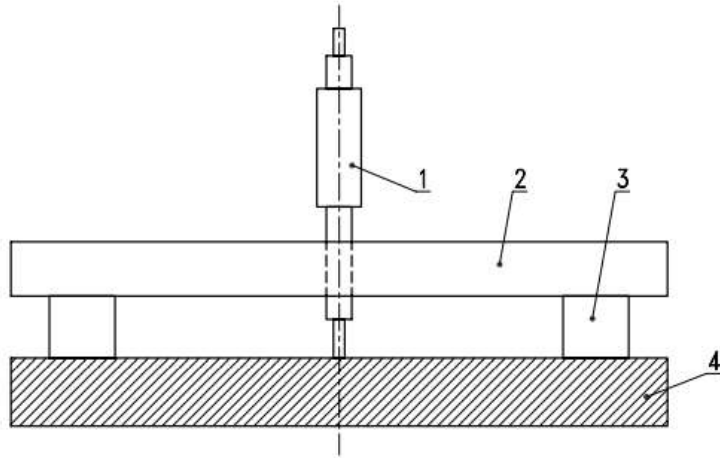
1 Thin shims to 1/10 mm

2 Rule

3 Shims of known thickness placed at the corners of the area to be measured

4 Unit being measured

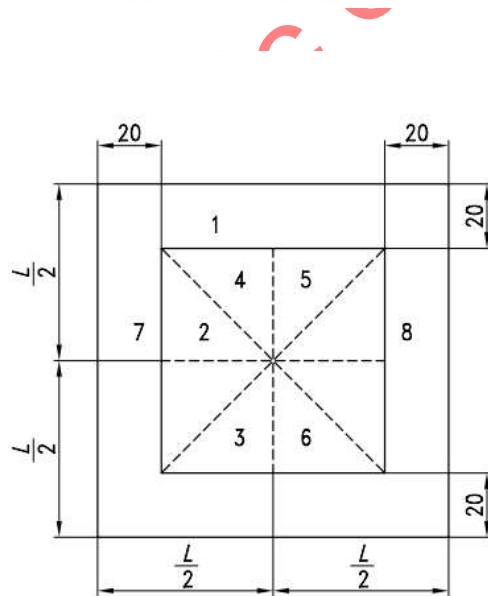
Figure 11 — Measurement of the deviation from flatness with thin shims



Key

- 1 Gauge to 1/10 mm
- 2 Rule
- 3 Shims of known thickness placed at the corners of the area to be measured
- 4 Unit being measured

Figure 12 — Measurement of the deviation from flatness with gauge



Dimensions in millimetres

Key

L = length of the unit

Figure 13 — Positions for measurement of deviation from flatness

6.4 5.5 Verification of the squareness of faces

6.4.1 5.5.1 General

Measurement of the difference, in the plane of the face seen, between the angle formed by two adjacent edges and a right angle, for the following rectangular elements with sawn edges: slabs for claddings and for floors and stairs and modular tiles.

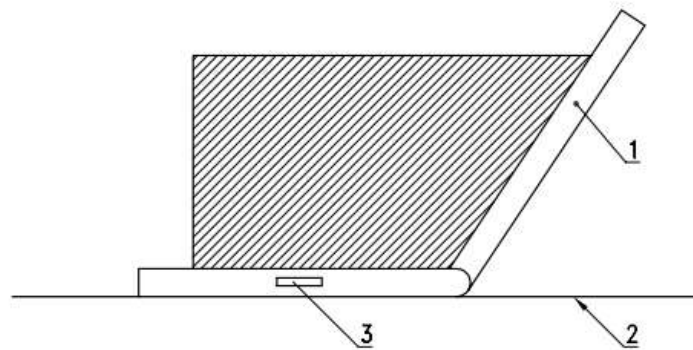
6.4.2 Angular measurement

6.4.2.1 Apparatus:

— an angle gauge of length 500 mm and calibrated to 0.1°

6.4.2.2 Procedure of measurement:

- the element to be checked is placed on a reference surface;
- an angle is measured to the nearest 0.1° (see Figure 14);
- the operation is repeated in the corner diagonally opposite.



Key

- 1 Angle gauge
- 2 Reference surface
- 3 Digital angle read-out

Figure 14 — Angular measurement of the squareness of a face

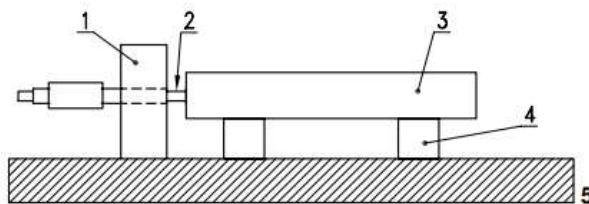
6.4.3 Measurement in percentage

6.4.3.1 Apparatus:

- a set-square with arms > 600 mm long;
- a dial gauge accurate to 1/50 mm, with a flat contact;
- a rigid rule of appropriate size graduated in millimetres.

6.4.3.2 Procedure of measurement:

- the element to be checked is laid on two shims of known thickness placed on a reference surface (Figure 15);
- using a dial gauge, the distance between the side of the element and the arm of the set square is measured (in millimetres to the nearest 0,1 mm) at two points situated 20 mm from the ends to be checked (Figure 16). The difference between the two measurements is calculated in millimetres to the nearest 1 mm;
- the error of squareness as a percentage is given by $\frac{l}{l} \times 10$ to the nearest percent;
- the operation is repeated in the corner diagonally opposite.

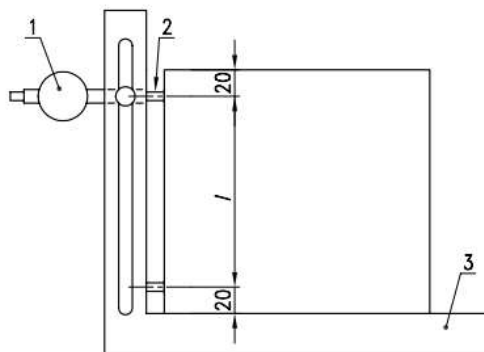


Key

- 1 Side of set-square
- 2 Contact just touching axis of thickness
- 3 Unit being measured
- 4 Shims enabling gauge to contact the axis
- 5 Reference surface

Figure 15 — Measurement in percentage of the squareness of a face with set-square and dial gauge

Dimensions in millimetres

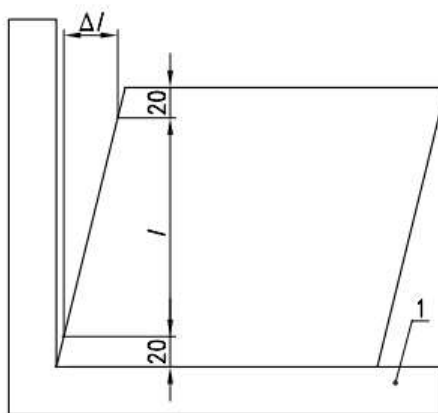


Key

- l Distance of measurement
- 1 Dial gauge accurate to 1/50 mm
- 2 Flat contact
- 3 Set-square

Figure 16 — Measurement in percentage of the squareness of a face with set-square and dial gauge

Dimensions in millimetres



Key

- l Distance of measurement
- 1 Set-square

Figure 17 — Measurement of the squareness of edges (set-square)

6.5 Verification of the squareness of edges

6.5.1 General

Measurement of the difference between the angle formed by the plane of the edge and the plane of the face seen and a right angle for elements with sawn edges.

6.5.2 Apparatus

- A set-square with arms ≥ 100 mm long
- A set of thin shims accurate to 1/10 mm.
- A rigid rule of appropriate size, graduated in millimetres.

6.5.3 Procedure of measurement

6.5.4 Measurement using a set square

The element to be measured is placed within the arms of the set square. Using the shims, the distance between the side of the element and the arm of the set square is measured (in millimetres to the nearest 0,1 mm) at two points situated 20 mm from the ends to be checked (Figure 17). The difference l between the two measurements is calculated and recorded. The distance l between the two points is measured in millimetres to the nearest 1mm.

6.5.4.1 Measurement using a reference surface and a set-square

The element to be checked is placed on a reference surface.

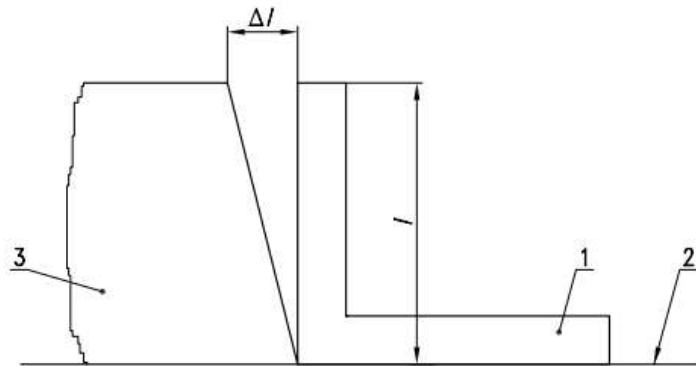
Using the set of shims, the distance l between the upper edge of the side and the arm of the set-square is measured (in millimetres to the nearest 0.1 mm) for a distance l measured in millimetres to the nearest 1 mm (Figure 18).

6.5.4.2 Expression of the results

The error of squareness as a percentage is given to the nearest percent.

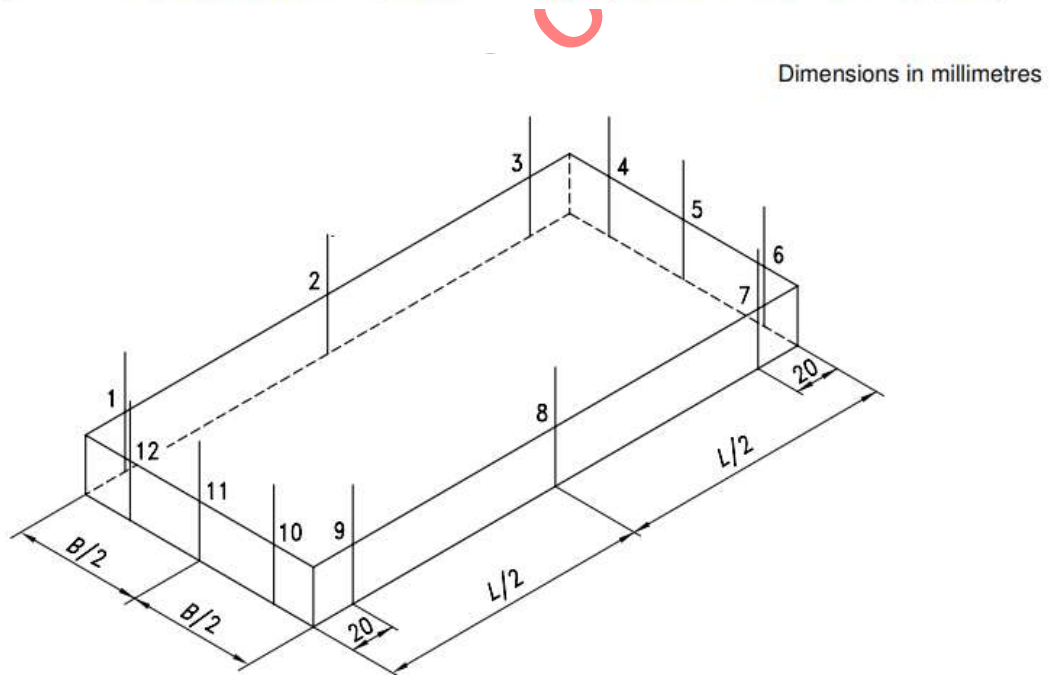
The measurements are taken at 12 positions (Figure 19).

The results for positions 1 to 12 are noted.



Key
 l distance of measurement
 1 Set-square
 2 Reference surface
 3 Unit being measured

Figure 18 — Measurement of the squareness of edges (reference surface and set-square)



Dimensions in millimetres

Key
 L length of the element
 B width of the element

Figure 19 — Positions for measurement of squareness of edges

6.6 Verification of the geometrical characteristics of fixing holes of slabs for claddings

6.6.1 General

Measurement of the depth, position, diameter and inclination of fixing holes of slabs for claddings.

6.6.2 Depth of the hole

6.6.2.1 Apparatus

A depth gauge accurate to 1/20 mm (Figure 20), the cylindrical end of which has a nominal diameter not greater than the diameter of the hole.

6.6.2.2 Procedure of measurement

After having taken care to clean the hole, the depth is measured to the nearest 0,5 mm.

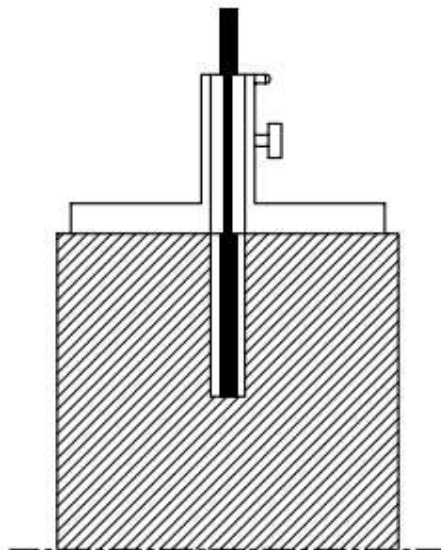


Figure 20 — Measurement of the depth of the hole with depth gauge

6.6.3 Position of the hole

6.6.3.1 Apparatus

- A sliding calliper gauge accurate to 1/20 mm with a measuring range at least equal to the size of the element to be measured (up to 1000 mm).

6.6.3.2 Procedure of measurement

The distance from the axis of the hole to one or more edges, to a face or to another reference point is measured to the nearest 0,5 mm.

6.6.4 Diameter of the hole

6.6.4.1 Apparatus

— A cylindrical clearance gauge, the diameter of which is greater than the nominal diameter by 2 mm.

— A cylindrical clearance gauge, the diameter of which is less than the nominal diameter by 2 mm.

The clearance gauges must be accurate to the nearest 0,2 mm.

6.6.4.2 Procedure of measurement

— The larger diameter clearance gauge must not enter the hole.

— The smaller diameter clearance gauge must freely enter the hole.

6.6.5 Inclination of the hole

6.6.5.1 Apparatus

— A stud with a diameter less than that of the hole and a length such that once pushed into place the stud will protrude by about 100 mm.

— A set-square with arms 100 mm long

— A set of thin shims accurate to 1/10 mm.

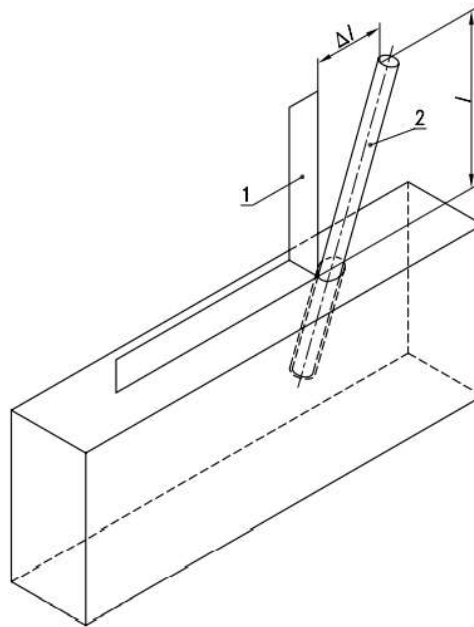
6.6.5.2 Procedure of measurement

The stud is inserted into the hole.

The set-square is placed on the element to be measured at the edge of the hole (Figure 21).

Using the set of shims, the maximum distance l between the stud and the arm of the set-square for a distance l is measured (in millimetres to the nearest 0,1 mm) for a distance l (measured in millimetres to the nearest 1 mm).

The error of the angle as a percentage is given to the nearest percent.



Key
1 Set-square
2 Stud

Figure 21 — Measurement of the inclination of the hole

6.7 Verification of the shape of non-rectangular and curved units

6.7.1 General

Measurement of the deviation between a reference template and a control template for non-rectangular and curved units.

6.7.2 Apparatus

A reference template and a control template made from a corrosion resistant material which is dimensionally stable within a limit of 0,05% under the effect of natural variations in ambient temperature and humidity.

A sliding calliper gauge accurate to 1/20 mm with a measuring range at least equal to the size of the element to be measured (up to 1000 mm).

6.7.3 Procedure of measurement

Trace a control template from a stone unit during the production stage. Cut out the template in the projection. Measure the lengths on the template to the nearest 0,5 mm.

Compare the lengths measured on the control template with those on the reference template.

Note the differences.

7 Test report

The test report shall contain the following information:

- a) unique identification number of the report;
- b) the number, title and date of issue of this Rwandan standard
- c) the name and address of the test laboratory and the address where the test was carried out, if different from the test laboratory;
- d) the name and the address of the client;
- e) it is the responsibility of the client to supply the following information:
 - the petrographic name of the stone,
 - the commercial name of the stone,
 - the country and region of extraction,
 - the name of the supplier,
 - the name of the person or organisation which carried out the sampling;
- f) the date of delivery of the sample;
- g) the date of testing;
- h) the number of units in the sample;
- i) the measurements performed;
- j) the results of the measurements;

k) all deviations from the standard and their justification;

l) remarks.

The test report shall contain the signatures and roles of those responsible for the testing and the date of issue of the report.

It shall also state that the report shall not be partially reproduced without the written consent of the test laboratory.

Copy for public comments

Copy for public comments

Price based on 22 pages