



**RWANDA
STANDARD**

**DRS
535**

First edition

2023-mm-dd

**Natural stone test methods —
Determination of flexural strength under
constant moment**

ICS 73.020; 91.100.15

Reference number

DRS 535: 2023

© RSB2023

In order to match with technological development and to keep continuous progress in industries, standards are subject to periodic review. Users shall ascertain that they are in possession of the latest edition

© RSB2023

All rights reserved. Unless otherwise specified, no part of this publication may be reproduced or utilized in any form or by any means, electronic or mechanical, including photocopying and microfilm, without prior written permission from RSB.

Requests for permission to reproduce this document should be addressed to:

Rwanda Standards Board

P.O Box 7099 Kigali-Rwanda

KK 15 Rd, 49

Tel. +250 788303492

Toll Free: 3250

E-mail: info@rsb.gov.rw

Website: www.rsb.gov.rw

ePortal: www.portal.rsb.gov.rw

Contents	Page
Foreword	iv
1 Scope	1
2 Normative references	1
3 Terms and definitions	1
4 Principal	1
5 Symbols (and abbreviated terms)	1
6 Apparatus	2
7 Preparation of specimens	3
7.1 Sampling	3
7.2 Test specimens	3
7.2.1 Surface finish	3
7.2.2 Dimensions	3
7.2.3 Limit deviations	3
7.2.4 Planes of anisotropy	3
7.2.5 Conditioning before testing	6
8 Test procedure	6
9 Expression of results	6
10 Test report	6
Annex A (normative) Statistical evaluation of the test results	9
A.1 Scope	9
A.2 Symbols and definitions	9
A.3 Statistical evaluation of test results	10

Foreword

Rwanda Standards are prepared by Technical Committees and approved by Rwanda Standards Board (RSB) Board of Directors in accordance with the procedures of RSB, in compliance with Annex 3 of the WTO/TBT agreement on the preparation, adoption and application of standards.

The main task of technical committees is to prepare national standards. Final Draft Rwanda Standards adopted by technical committees are ratified by members of RSB Board of Directors for publication and gazettment as Rwanda Standards.

DRS535 was prepared by Technical Committee RSB/TC 9, *Civil engineering and building materials*.

In the preparation of this standard, reference was made to the following standard:

BS EN 13161:2008, Natural stone test method — Determination of flexural strength under constant moment

The assistance derived from the above source is hereby acknowledged with thanks.

Committee membership

The following organizations were represented on the Technical Committee on *Civil engineering and building materials* (RSB/TC 9) in the preparation of this standard.

A+Construction Group Ltd

Africeramics Ltd

Consultants Engineers Group (CEG) Ltd

D&D Resources Ltd

Dutureheza Ltd

Enabel Rwanda

Greenpack Africa Ltd

Integrated Polytechnic Regional Centre (IPRC) - Musanze

Mass Design Group

NP Construction Company (NPCC) Ltd

Road Transport Development Agency (RTDA)

Rwanda Housing Authority (RHA)

Rwanda Inspectorate, Competition and Consumer Protection Authority (RICA)

Rwanda Quarries Association (RQA)

SKAT Consult

St Joseph Engineering Company (SJEC) Ltd

Standards for Sustainability (SfS)

Stonecraft Industries Ltd

University of Rwanda - College of Science and Technology (UR - CST)

Rwanda Standards Board (RSB) – Secretariat

Copy for public comments

Copy for public comments

Natural stone test methods — Determination of flexural strength under constant moment

1 Scope

This Draft Rwanda Standard specifies a method to determine the flexural strength of natural stones under constant moment. This Draft Rwandan Standard contains provision for both an identification test and for a technological test.

2 Normative references

The following documents are referred to in the text in such a way that some or all of their content constitutes requirements of this document. For dated references, only the edition cited applies. For undated references, the latest edition of the referenced document (including any amendments) applies.

RS ISO 1920-4 Testing hardened concrete — Part 4: Compressive strength — Specification for testing machines

RS ISO 1920-5, Testing hardened concrete — Part 5: Flexural strength of test specimens

3 Terms and definitions

For the purposes of this standard, the terms and definitions given in DRS 515, RS ISO 1920-4 and RS ISO 1920-5 apply.

4 Principal

After appropriate preparation a specimen of the rock to be tested is laid and centred between two supports. Thereafter the specimen is subjected to a load using two parallel rollers acting on the top surface of the specimen. These loading rollers are centred and located a distance of one third of the length of span. The loads are steadily increased until failure.

5 Symbols (and abbreviated terms)

For the purposes of this document, the following symbols apply.

R_{fc} flexural strength at constant moment, in Megapascals

F load at failure, in newtons

b specimen width in millimetres

h specimen thickness in millimetres;

7 Preparation of specimens

7.1 Sampling

The sampling is not the responsibility of the testing laboratory except when it is especially requested. At least 10 specimens shall be selected from a homogeneous batch (see also 7.2.4).

7.2 Test specimens

7.2.1 Surface finish

As a standard reference, the surface finish of the faces of the specimens shall be sawn, honed or polished (identification test). When it is necessary to carry out the test on final products (technological test) the surface finish of the specimens may be flamed, sandblasted etc., depending on the final use. For the technological test the specimens may be final products or sawn from final products. The surface intended for use shall be in contact with the two supporting rollers (facing downwards). However, the kind of surface finish shall be stated in the report.

7.2.2 Dimensions

The dimensions of the specimens are determined by their thickness h :

- the thickness h shall be between 25 mm and 100 mm and shall be greater than twice the size of the largest crystal in the stone;
- the total length L shall be equal to six times the thickness;
- the distance between the supporting rollers l shall be equal to five times the thickness;
- the width b shall be between 50 mm and three times the thickness ($50 \text{ mm} \leq b \leq 3h$), and in no case it shall be less than the thickness.

7.2.3 Limit deviations

The limit deviation on the dimensions h , b , L and l shall be ± 1 mm of the nominal dimensions.

In the case of identification test the faces shall not depart from perpendicularity to the axis of the specimen by more than 2 % with a maximum of 2 mm difference, when measured in any direction.

7.2.4 Planes of anisotropy

7.2.4.1 Identification test

If the stone shows planes of anisotropy (e.g. bedding, foliation), the direction of the planes of anisotropy is to be marked on each specimen by at least two parallel lines.

If the use of the stone in respect of the position of the planes of anisotropy is known, the test shall be carried out with the force applied to the face that will be loaded during use.

If the way of use of the stone is not known but the position of the planes of anisotropy is indicated on the specimens, the test shall be carried out on each of the three arrangements shown in Figures from 2 to 4; the total number of specimens will then be 3 times 10.

7.2.4.2 Technological test

The specimens shall be tested only for the relevant product direction that is, with the force applied to the face which will be loaded during use.

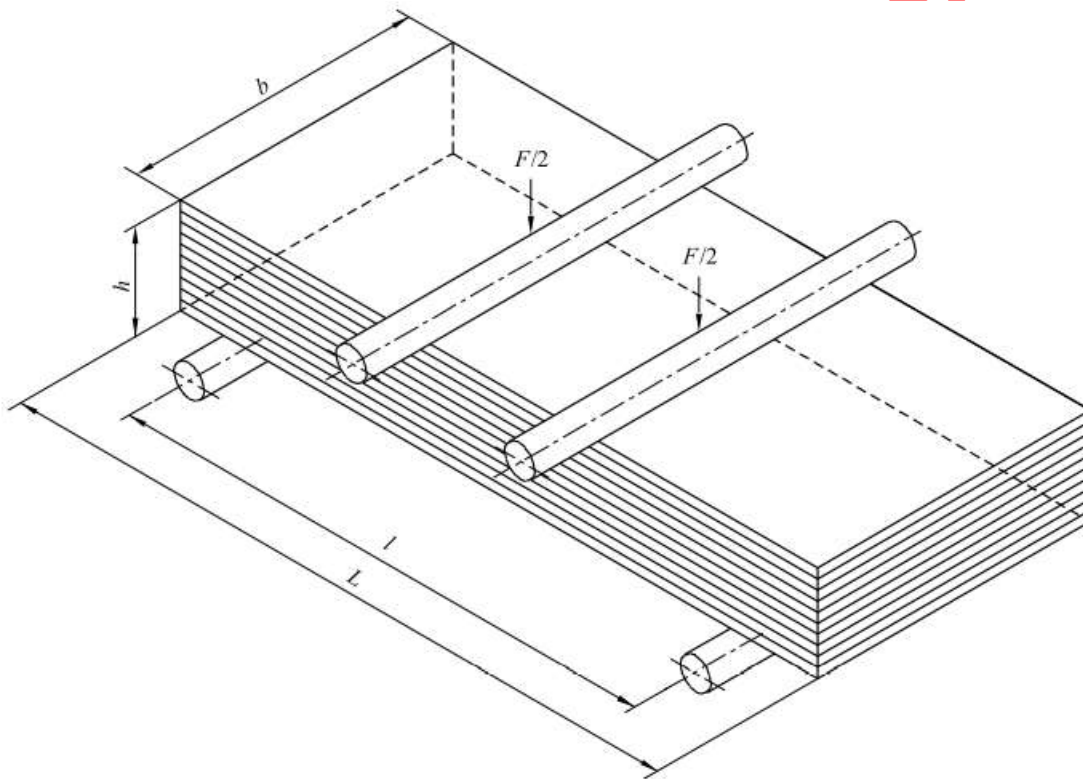


Figure 2 — Test arrangement for a specimen with the load applied perpendicular to the planes of anisotropy



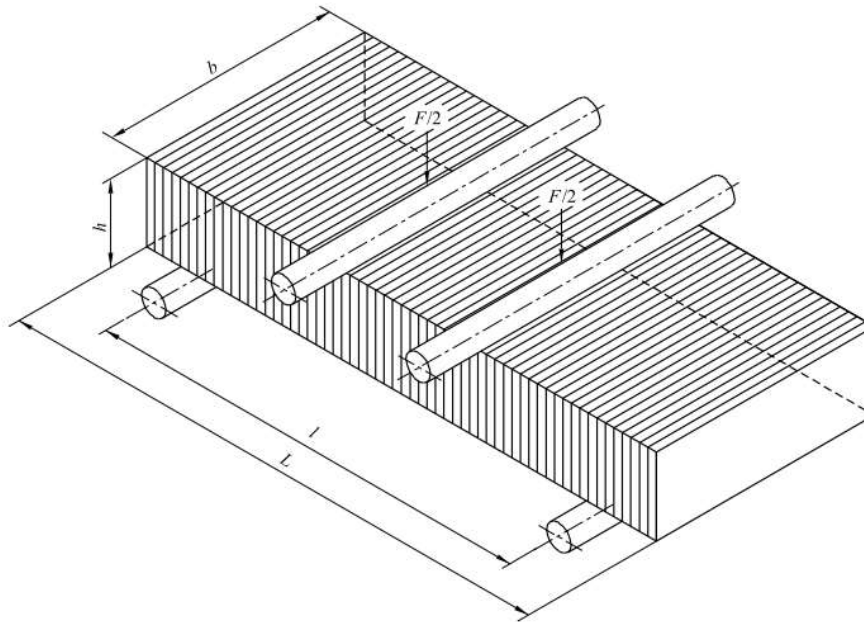


Figure 3 — Test arrangement for a specimen with the load applied parallel to the planes of anisotropy

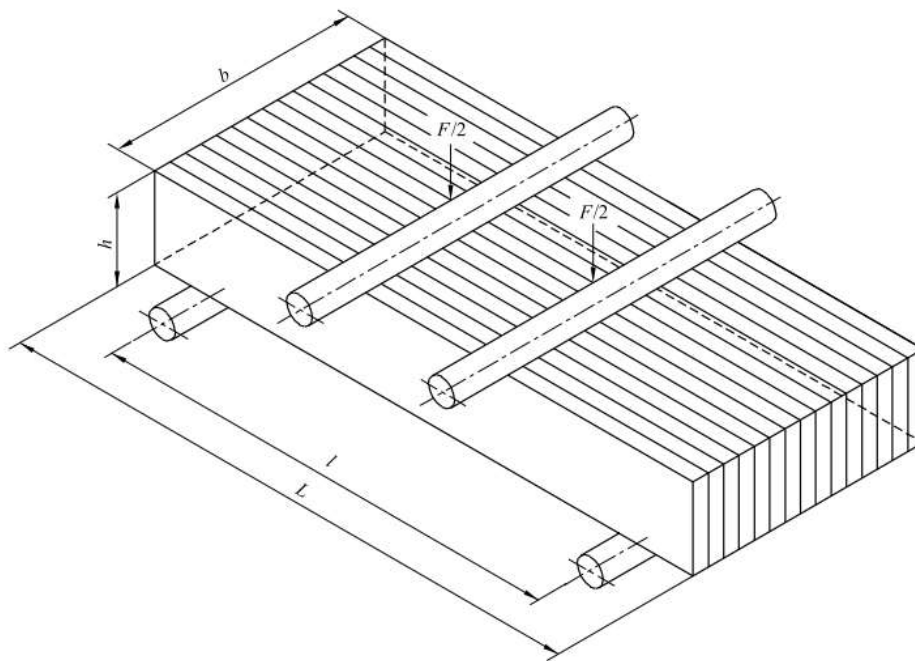


Figure 4 — Test arrangement for a specimen with the load applied perpendicular to the edges of the planes of anisotropy

7.2.5 Conditioning before testing

The specimens shall be dried at $(70 \pm 5) ^\circ\text{C}$ to constant mass. Constant mass shall be considered to have been reached when the difference between two weighings made at an interval of (24 ± 2) h is not greater than 0.1 % of the previous mass measurement.

After drying and before testing the specimens shall be stored at $(20 \pm 10) ^\circ\text{C}$ for thermal equilibrium to be reached, and the test shall be performed within 24 h after removal from the oven.

8 Test procedure

Wipe the surfaces of the rollers clean and remove any loose grits from the faces of the specimen which will be in contact with the rollers. Align the specimen carefully and centrally between the supports and the loading cylinders such to gain uniform setting as shown in Figure 1. Specimen position regarding anisotropy directions is visualized in Figures 2, 3 and 4.

The load is increased uniformly at a rate equivalent to (0.25 ± 0.05) MPa/s until failure.

The maximum load on the specimens shall be recorded to the nearest 10 N and the place and mode of the fracture shall be recorded if the failure has occurred outside the two-line loads.

NOTE Where the loading rate (V , in N/s) is needed, the following equation can be used to determine the required rate:

$$V = \frac{2abh^2}{3l} (\text{N/s})$$

9 Expression of results

For each specimen the flexural strength at constant moment R_{tc} is calculated by the Equation (1):

$$R_{tc} = \frac{FxL}{bxh^2} (1)$$

The result shall be expressed in Megapascals to the nearest 0.1 MPa.

10 Test report

The test report shall contain the following information:

- a) unique identification number of the report;
- b) the name, number, and date of issue of this Rwanda Standard;
- c) the name and address of the test laboratory and the address where the test was carried out if different from the testing laboratory;

- d) the name and the address of the client;
- e) e) it is the responsibility of the client to supply the following information:
- the petrographic name of the stone;
 - the commercial name of the stone;
 - the country and region of extraction;
 - the name of the supplier;
 - the direction of any existing plane of anisotropy (if relevant to the test) to be clearly indicated on the sample or on each specimen by means of two parallel lines;
 - the name of the person or organization which carried out the sampling;
- f) the date of delivery of the sample or of the specimens;
- g) the date when the specimens were prepared (if relevant) and the date of testing;
- h) the number of specimens in the sample;
- i) the surface finish of the specimens;
- j) the perpendicularity to the axis of the specimens;
- k) for each specimen:
- width (b) and thickness (h) to the nearest 0.1 mm;
 - length (L) and the length of span (l) to the nearest 1 mm;
 - failure load to the nearest 10 N;
 - flexural strength (R_{fc}) in MPa to the nearest 0.1 MPa;
 - loading direction in relation to any anisotropy;
 - mode and place of the fracture when outside the two-line loads;
- l) for each relevant direction of loading the mean value R_{fc} of the flexural strength and the standard
- m) deviations, in Megapascals to the nearest 0.1 MPa;

n) any deviation from this standard and the reason for such deviation;

o) remarks.

The test report shall contain the signature(s) and role(s) of the responsible(s) for the testing and the date of issue of the report.

It shall also state that the report shall not be partially reproduced without the written consent of the laboratory.

Copy for public comments

Annex A (normative)

Statistical evaluation of the test results

A.1 Scope

This annex establishes a method for the statistical treatment of test results obtained following the natural stone test method described in this standard.

A.2 Symbols and definitions

Measured values $x_1, x_2, \dots, x_i, \dots, x_n$

Number of measured values n

Mean value $\bar{x}_1 = \frac{1}{n} \sum_i x$

Standard deviation $\bar{s}_1 = \mp \sqrt{\frac{\sum(x_i - \bar{x})^2}{n-1}}$

Coefficient of variation $V = \frac{s}{x}$, (for individual values)

Logarithmic mean $\bar{x}_{1n} = \frac{1}{n} \sum_i \ln x_i$

Logarithmic standard deviation $\bar{s}_{1n} = \mp \sqrt{\frac{\sum(\ln x_i - \bar{x}_{1n})^2}{n-1}}$

Maximum value Max Max

Minimum value Min Min

Lower expected value $E = e^{(\bar{x}_{1n} - (k_s * \bar{s}_{1n}))}$, where k_s (quantile factor) is given in Table A.1

Quantile factor k_s see Table A.1

A.3 Statistical evaluation of test results

For the calculation of the mean value (\bar{x}), the standard deviation (s) and the coefficient of variation (v) a normal distribution is assumed.

For the calculation of the lower expected value (E) a logarithmic normal distribution is assumed. The lower expected value (E) corresponds to the 5 % quantile of a logarithmic normal distribution for a confidence level of 75 %.

Table A.1 — Quantile factor (k_s) in dependence on the number of measured values (n) in correspondence to the 5 % quantile for a confidence level of 75 %

n	k_s
3	3,15
4	2,68
5	2,46
6	2,34
7	2,34
8	2,19
9	2,14
10	2,10
15	1,99
20	1,93
30	1,87
40	1,83
50	1,81
∞	1,64

The following examples should help to clarify the method:

EXAMPLE 1 Calculation of mean value, standard deviation, maximum value and minimum value of 6 measured values:

Measurement no	Measured value x
1	2 000
2	2 150
3	2 200
4	2 300
5	2 350
6	2 400

Mean value	2 333
Standard deviation	147
Maximum value	2 400
Minimum value	2 000

EXAMPLE 2 Calculation of mean value, standard deviation, coefficient of variation and lower expected value of 10 measured values:

Measurement no	Measured value x	(ln x)
1	2 000	(7,60)
2	2 150	(7,67)
3	2 200	(7,70)
4	2 300	(7,74)
5	2 350	(7,76)
6	2 400	(7,78)
7	2 600	(7,86)
8	2 750	(7,92)
9	2 900	(7,97)
10	3 150	(8,06)

Mean value	2 480	(7,807)
Standard deviation	363	(0,143)
Variation coefficient	0,15	

iments

From Table A.1 for: $n=10$ $k_S=2,1$

lower expected value 1 819

Copy for public

Bibliography

[1] DRS 528, Natural stone — Denomination criteria

[2] DRS 515, Natural stone — Terminology

Copy for public comments

Copy for public comments

Price based on 12pages

©RSB 2023- All rights reserved